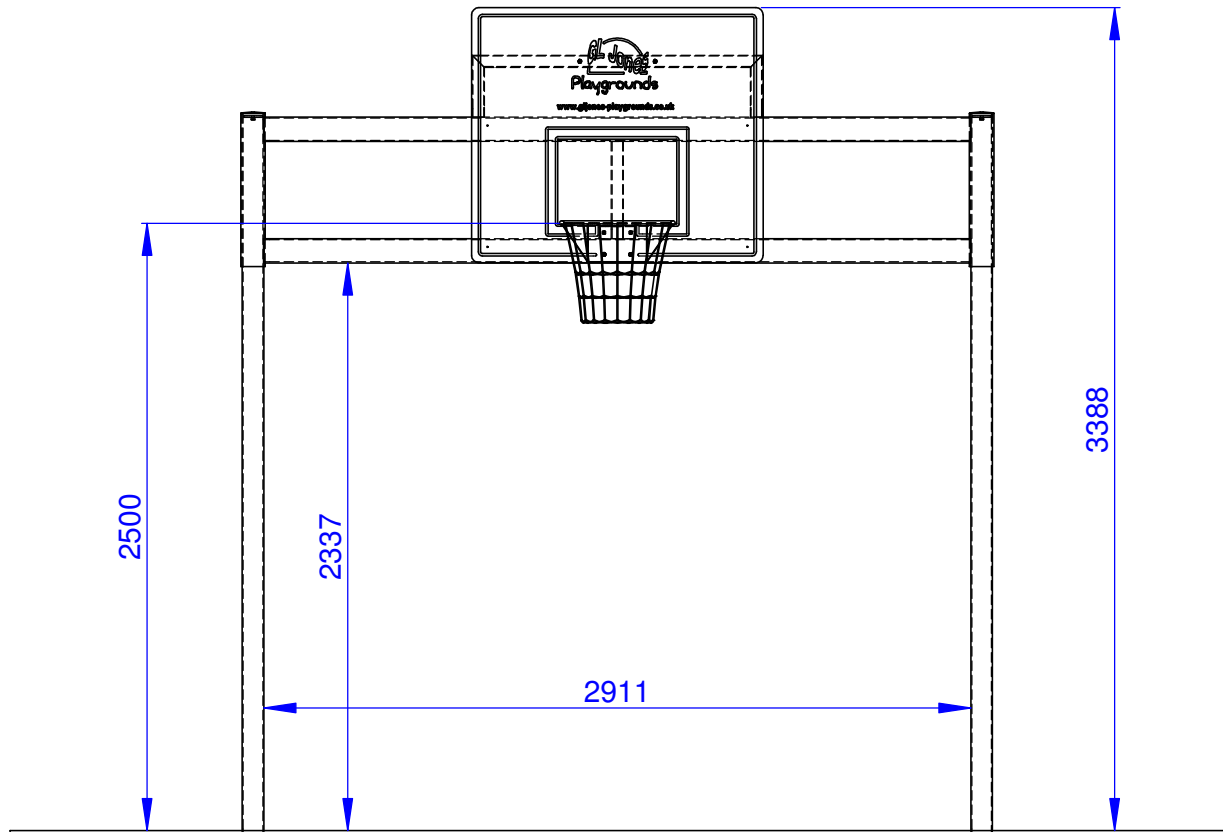
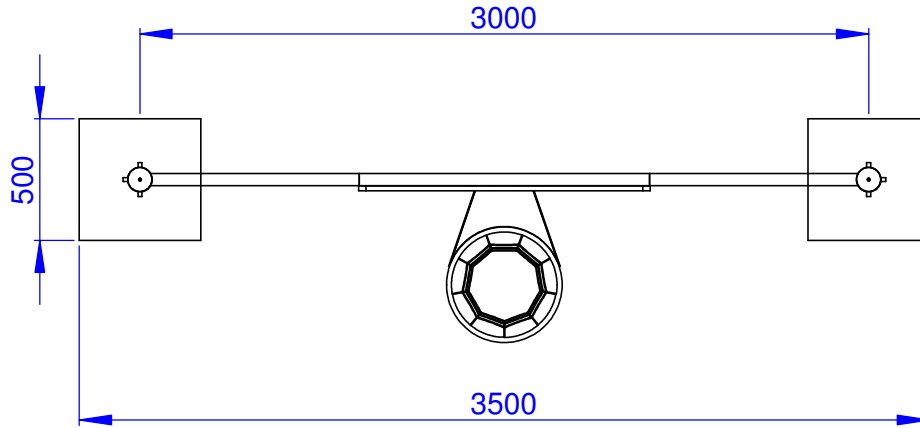


Concrete For  
Pockets (m<sup>3</sup>) = 0.31  
(1:2:4 or Equivalent)

ESTIMATED QUANTITIES ONLY



This drawing must not be copied or passed on to a third party without the specific permission of G.L.Jones Playgrounds Ltd. This drawing is supplied on the understanding that the installer has the required skill to ensure correct installation - G.L.Jones Playgrounds. Ltd. can only guarantee installations completed under their direct supervision.

**GL Jones Playgrounds Ltd.**

Tel: 01248 600372 Fax: 01248 602085 E-mail: [info@gljones-playgrounds.co.uk](mailto:info@gljones-playgrounds.co.uk)