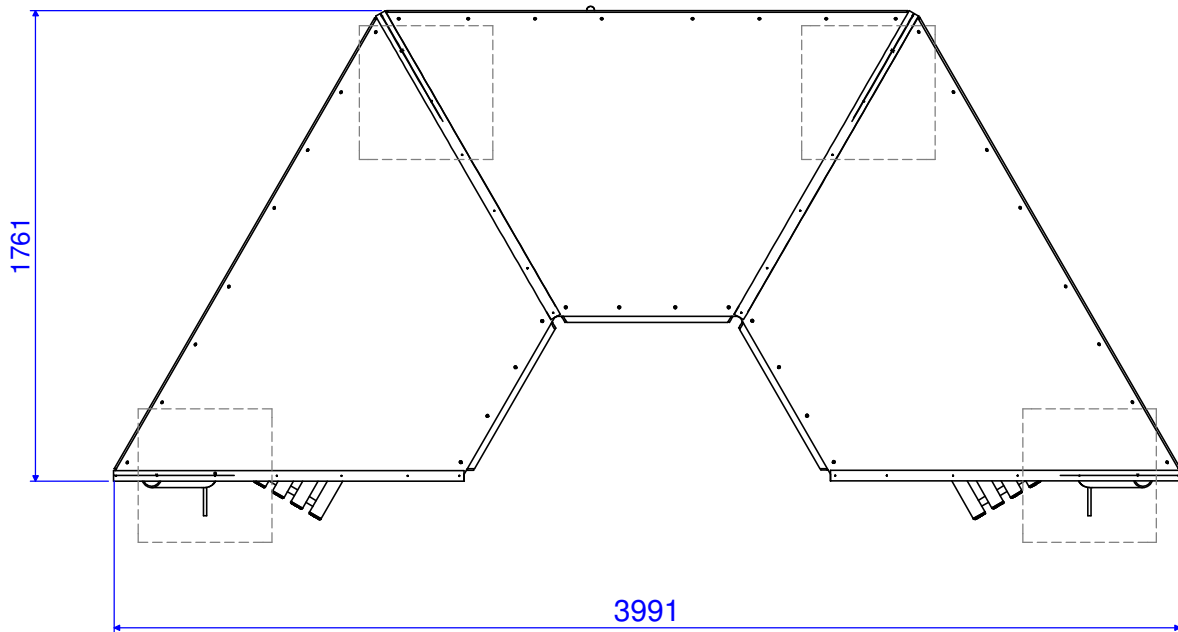
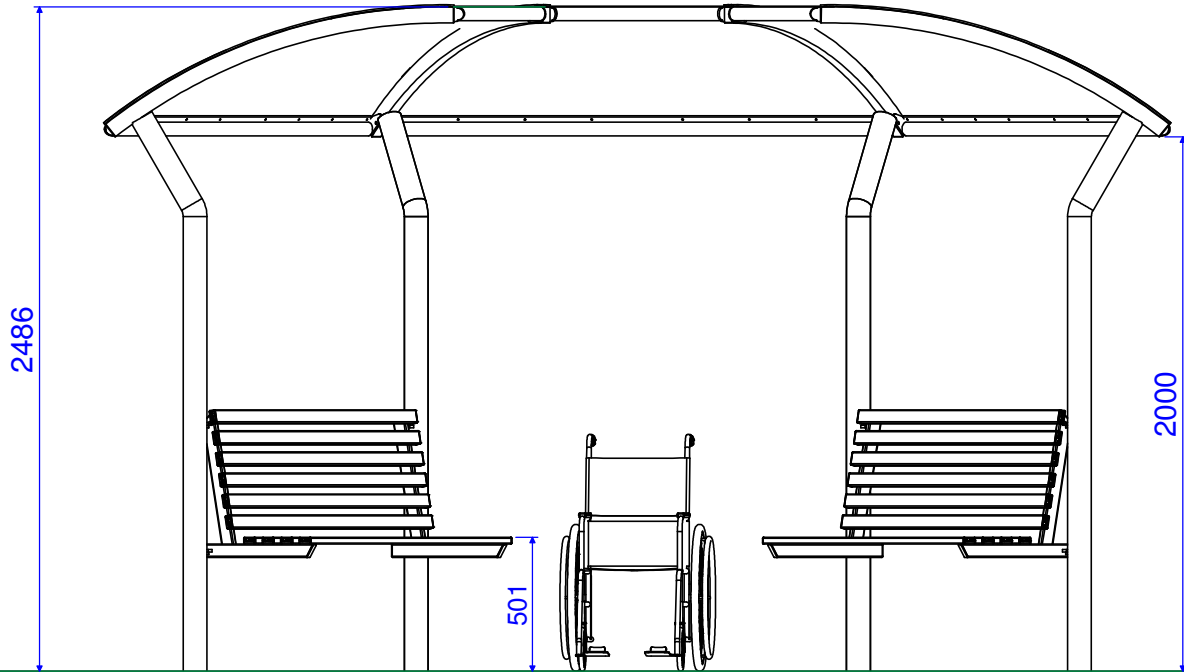


Item	Type	Min Qty
Concrete m3	1:2:4 or Equivalent	0.52

ESTIMATED QUANTITIES ONLY



Current Drawing Status Insert Document
Manufacturing Manual

This drawing must not be copied or passed on to a third party without the specific permission of G.L. Jones Playgrounds Ltd.
This drawing is supplied on the understanding that the installer has the required skills to ensure correct installation - G L Jones Playgrounds Ltd can only guarantee installations completed under their direct supervision.



GL Jones Playground Ltd
Station Road, Bethesda
Gwynedd LL57 3NE
Tel: 01248 600372
info@gljones-playgrounds.co.uk
www.gljones-playgrounds.co.uk

LASTSAVE	NAME
DRAWN	Mike Roberts

DO NOT SCALE DRAWING

REVISION 01

TITLE: Chill-Out 3 Segment

This Drawing should **NOT** be used for Installation purposes.
For Guidance Only

DWG NO. K101-003	A3
FILE NAME K101-003(01) - Chl-Out 3 Segment	©
DATE 03/03/2017	SHEET 2