

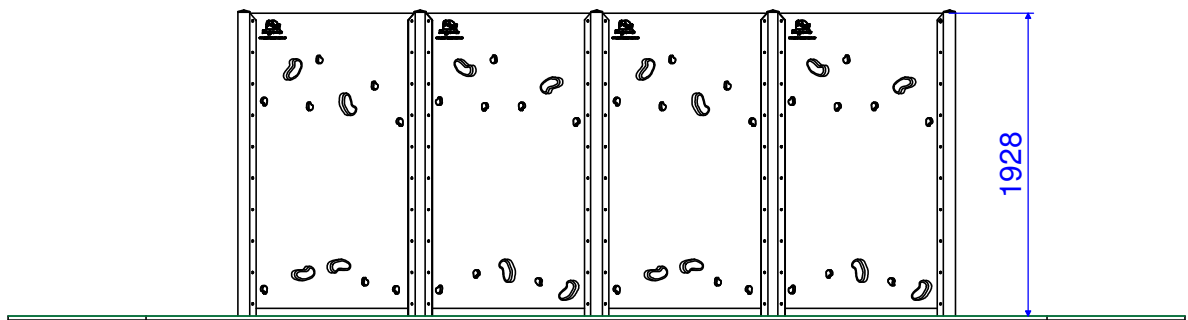
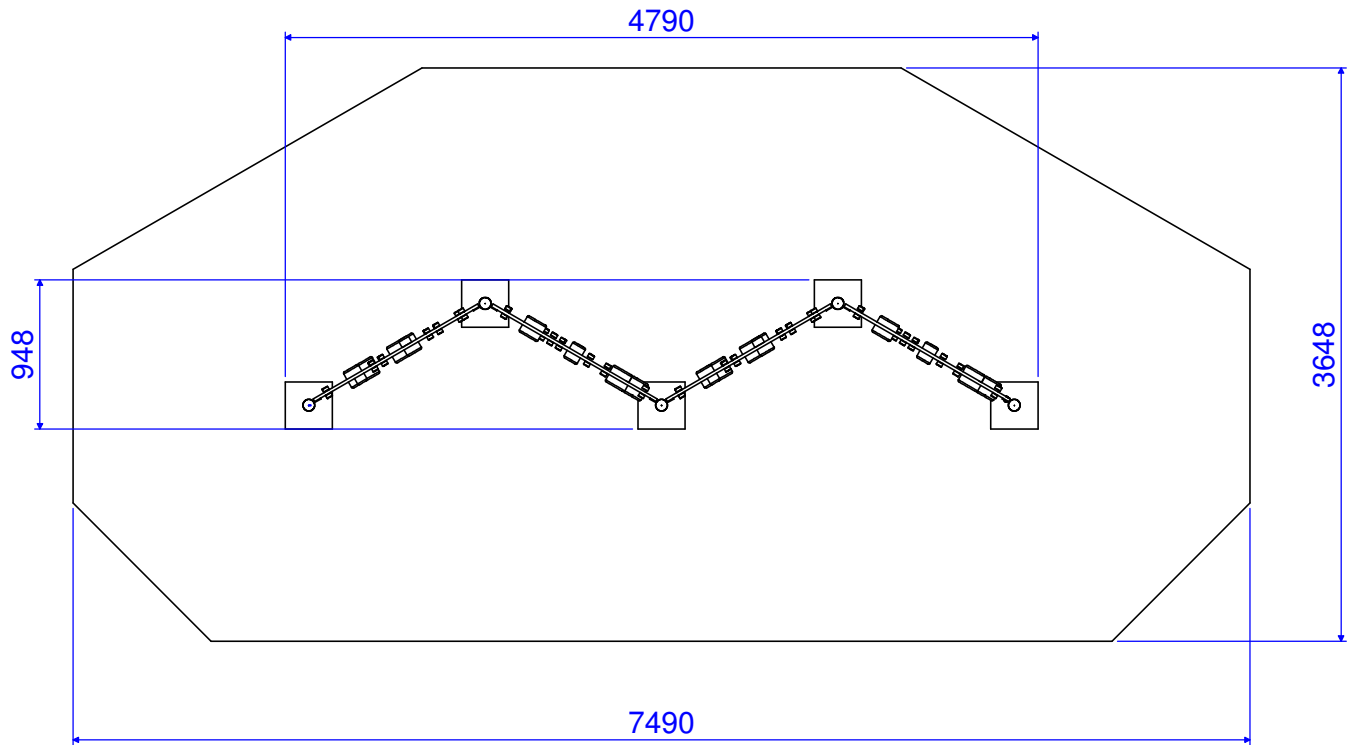
E025-001(01) - Traverse Climbing Wall

May 2011

Reference information

Item	Type	Min Qty.
Wetpour (m ²)	FFH 0.8m	23.7
Concrete (m ³)	1:2:4 or Equivalent	0.25
Edging (m)		19.4

ESTIMATED QUANTITIES ONLY



This drawing should not be used for installation purposes.
For guidance only

GL Jones Playgrounds Ltd. 

Tel: 01248 600572 Fax: 01248 602086 E-mail: info@gljones-playgrounds.co.uk