

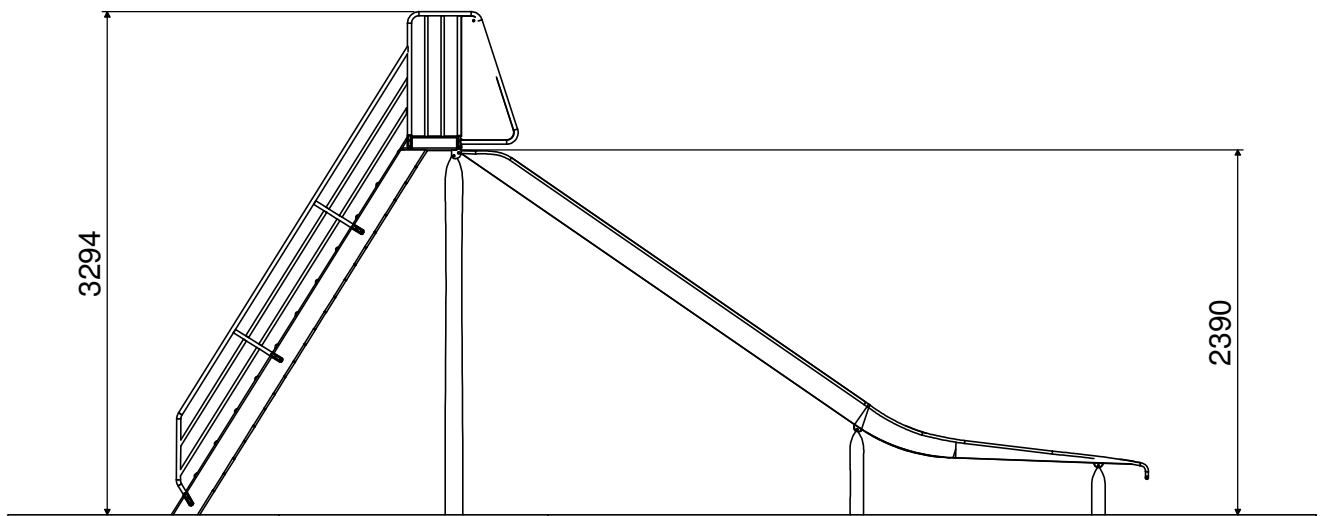
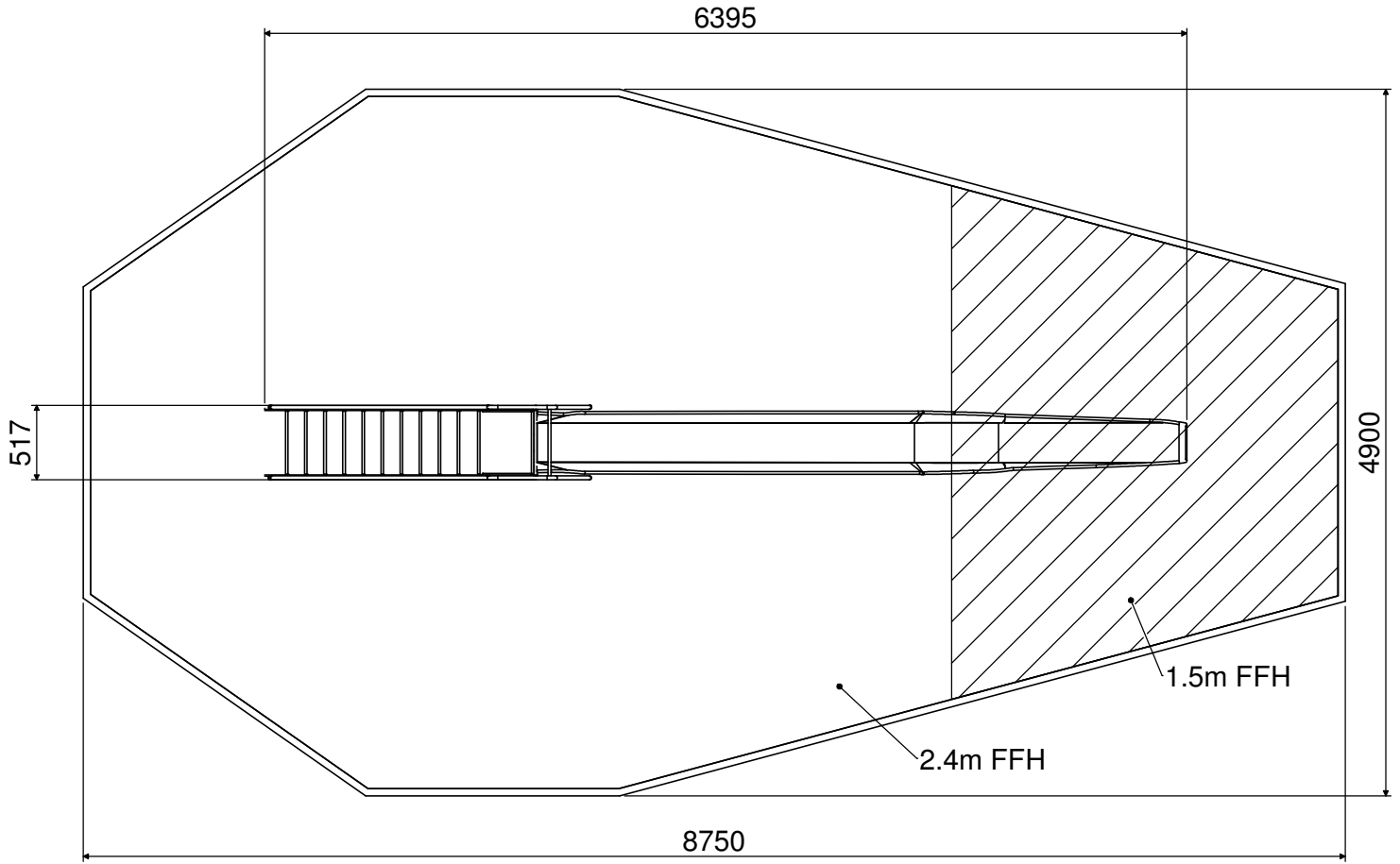
B005-001(3) - 2.4m High Free Standing Slide

May 2011

Reference information

Item	Type	Min Qty.
Wetpour (m ²)	FFH 1.5 m	7.62
Wetpour (m ²)	FFH 2.4 m	24.64
Unit Fix (m ³)	1:2:4 Concrete	0.39
Surfacing Base (m ³)	MOT Type 1	3.15
Length of Edging (m)	Flat Top PCC	23.08
Edging Fix (m ³)	1:2:4 Concrete	0.923

ESTIMATED QUANTITIES ONLY



This drawing should not be used for installation purposes.
For guidance only

GL Jones Playgrounds Ltd. 

Tel: 01248 600572 Fax: 01248 602086 E-mail: info@gljones-playgrounds.co.uk